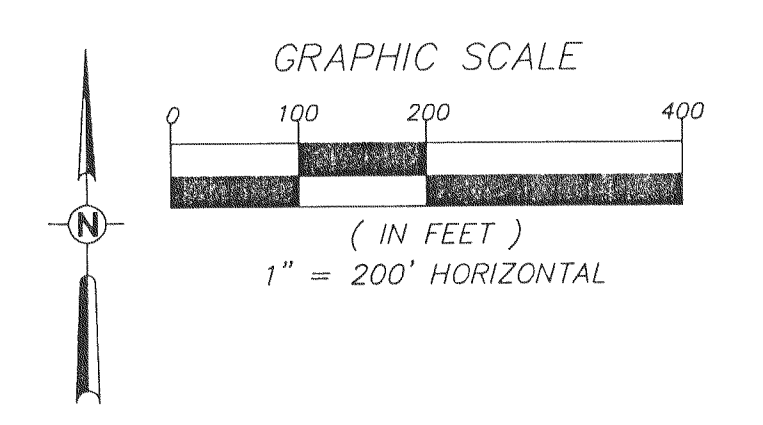
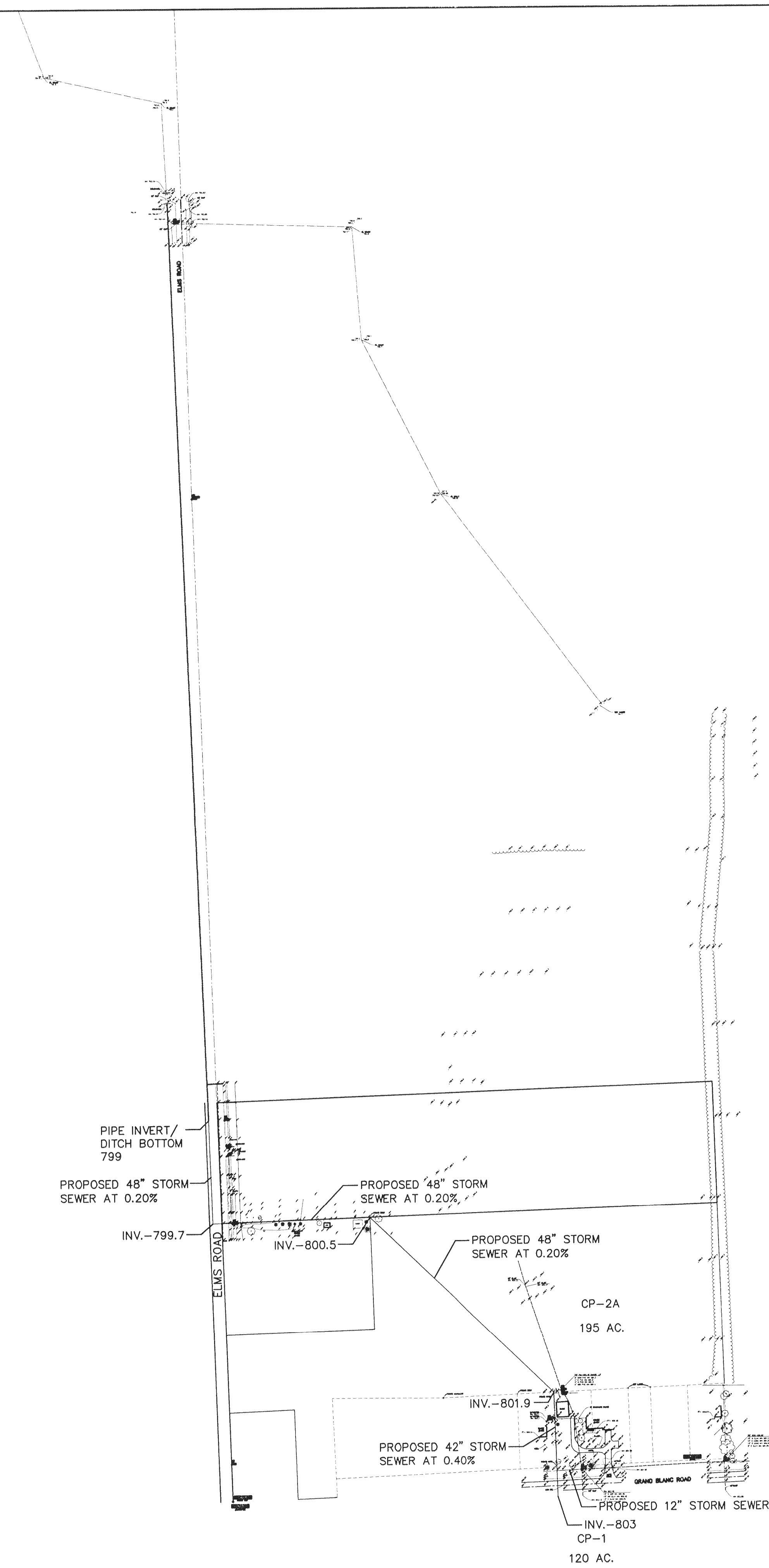


S:\12003900 Lurr Drain Extension - g0138\lurr\12003900.dwg, 9/7/2014 1:27:55 PM



LEGEND

	STORM SEWER & MANHOLE
	SANITARY SEWER & MANHOLE
	WATERMAIN, HYDRANT, & VALVE
	GAS MAIN & VALVE
	BURIED TELEPHONE & MANHOLE
	UNDER GROUND ELECTRIC & MANHOLE
	OVERHEAD ELECTRIC POLE, & GUY WIRE
	CATCH BASIN (SQR & ROUND)
	WATER MANHOLE
	785 CONTOUR LINE
	FENCE
	GUARD RAIL
	LIGHT POLE
	SIGN
	STREET SIGN
	MAILBOX
	MONITOR WELL

REVISIONS	DATE	DESCRIPTION

CHMP INC.
5198 TERRITORIAL RD. CONSULTING ENGINEERS, SURVEYORS, & ARCHITECTS GRAND BLANC MI. 48439

PREPARED FOR:
JEFFREY WRIGHT, COMMISSIONER
GENESEE COUNTY DRAIN COMMISSION
4608 BEECHER ROAD
FLINT, MICHIGAN 48532

LUM DRAIN & EXTENSION, BRANCH #1, #0138
PART OF SECTION 13, GAINES TOWNSHIP AND
PART OF SECTIONS 18 AND 19, MUNDY TOWNSHIP

DATE DRAWN:	10-11-12
DATE REVISED:	
CHMP JOB NUMBER:	12003900
SHEET	3